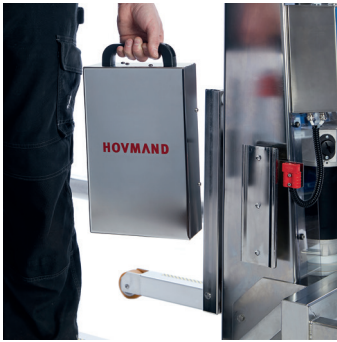


- ▶ ELECTRO-POLISHED
- ▶ DETACHABLE BATTERY UNIT FOR EASY CLEANING

- ▶ FOR HIGH HYGIENE STANDARDS AND THE CLEAN ROOM
- ▶ VERSATILE USE



# E300

The E300 is our heavy-duty stainless steel lifter. It allows you to grab, lift, turn and tilt for loads up to 300 kg – at a height up to 3 m. The lifter can be fitted with a number of manual and electrical tools: Platforms, booms, forks and special gripping tools. The electrical gripper can be customised to almost any shape of drum, tub and reels. All tools for the E300 are made of electropolished stainless steel and can be custom configured to your requirements. Two mast heights can be combined with four different leg types.



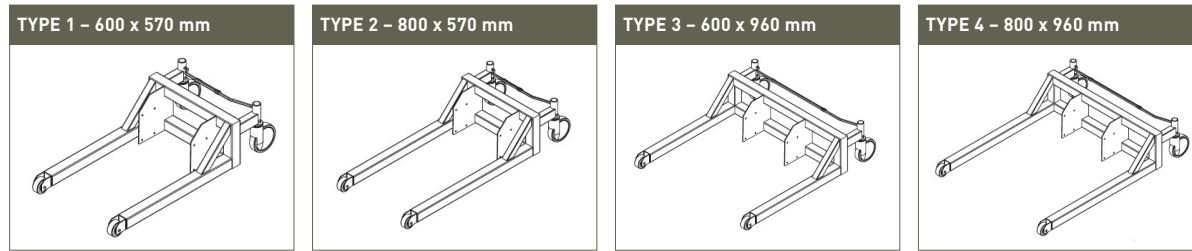
ASP bvba  
Baanakkerweg 3  
B-3060 Bertem

+32 (0)16 36 12 24  
info@asp-online.be  
www.asp-online.be

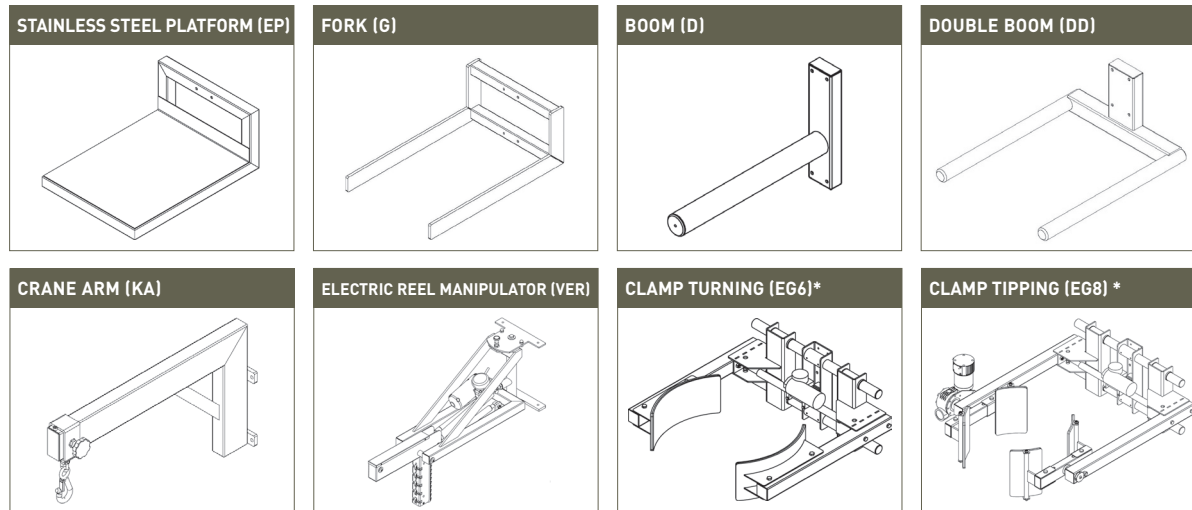
**HOVMAND**  
LIFTING & MOVING TECHNOLOGY

# E300

## LEG TYPES



## STAINLESS STEEL LIFTING EQUIPMENT



If necessary, we adapt the lifters to suit your specific requirements.

\* With different types of gripper available depending on the material surface of the object to be gripped

Type	Capacity kg	Lifting height mm	Mast height mm	Lifting speed mm/sec	Batteries V/AH	Weight kg
300 M	300	1300	1970	125	24/18	105
300 H	300	1650	2320	125	24/18	115

## LIFTING CAPACITY

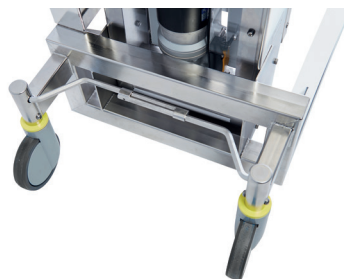
Instructions for maximum material weight (kg) for the E300

Boom (D)	300
Double boom (DD)	300
Electric reel manipulator (VER)	200
Clamp turning (EG6)	250
Clamp tipping (EG8)	140
Stainless steel platform (EP)	300
Crane arm (KA)	200
Fork (G)	300

## WHEELS

For all leg types:  
Front wheels, rigid Ø80 mm  
Rear wheels, castor wheels Ø150 mm with central brakes

The E300 is also available upon request for use in hazardous areas.



ATEX

**100% Stainless steel**

- ▶ Electropolished surface for better protection against dust and germs sticking.
- ▶ Resistant against aggressive cleaning water agents.

**IP66**

- ▶ Dust proof and water proof.
- ▶ Ultra hygienic and suitable for cleanrooms in category C and D.

**ATEX Ex**

- ▶ Lubrication-free toothed belt.
- ▶ Closed ball bearing.
- ▶ All designs fully welded.
- ▶ Manufactured according to GMP standards.

**Wrench icon**

- ▶ Absolute reliability.
- ▶ No maintenance required due to high quality design and processing "Made in Europe."

**Person icon**

- ▶ Excellent ergonomics, reduced physical stress. For the health of your employees.

**Hourglass icon**

- ▶ Saves time due to easier cleaning process for the device, thanks to the removable battery unit.